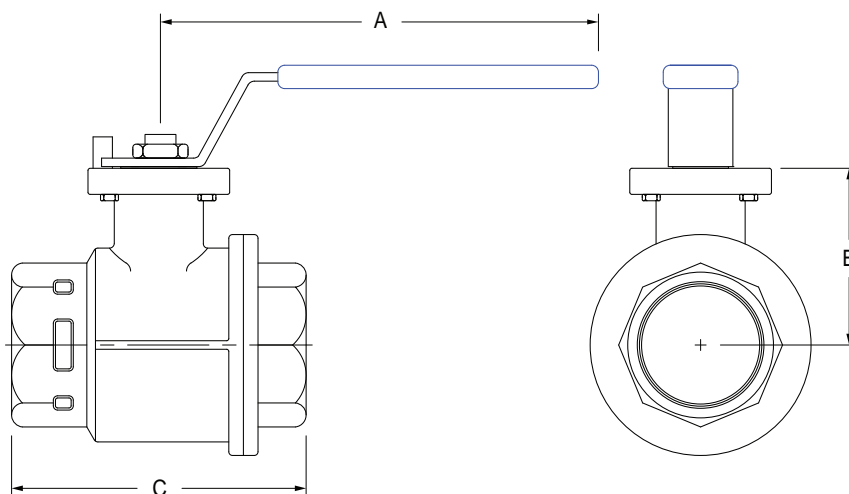


2 Piece Industrial Stainless Steel Ball Valves



- full port stainless steel ball valves with FNPT ends
- blow-out proof stem
- ISO 5211 mounting pad
- CF8M stainless body, ends and ball
- RTFE seats and PTFE seals
- live-loaded stem packing
- custom handle covers available, see new product section on page 5
- maximum pressure: ½" - 2" **1,000 PSI WOG**
2½" - 3" **800 PSI WOG**
- maximum temperature: **350°F**



Size	A	B	C	Break Torque (in-lbs.)	Weight (lbs.)	<i>Stainless Steel</i> Part Number
1/4"	4.4	2.0	2.6	50	0.30	BV2HG-02511-A
3/8"	4.4	2.0	2.6	52	0.81	BV2HG-03811-A
1/2"	4.4	2.0	3.0	64	0.95	BV2HG-05011-A
3/4"	4.4	2.1	3.2	64	1.45	BV2HG-07511-A
1"	5.4	2.4	3.4	121	2.36	BV2HG-10011-A
1-1/4"	7.3	2.6	4.3	157	3.50	BV2HG-12511-A
1-1/2"	7.8	3.1	4.7	225	4.21	BV2HG-15011-A
2"	7.8	3.7	5.5	400	7.8	BV2HG-20011-A
2-1/2"	10.4	3.9	7.8	507	17.6	BV2HG-25011-A
3"	10.4	4.4	8.1	600	25.3	BV2HG-30011-A

Dimensions are approximate. Engineering dimensions are available upon request.
Specifications are subject to change without notice.