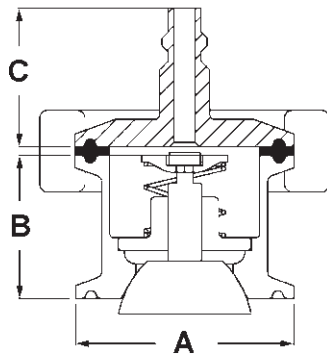


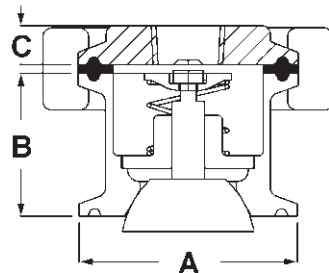
Air Blow Check Valves



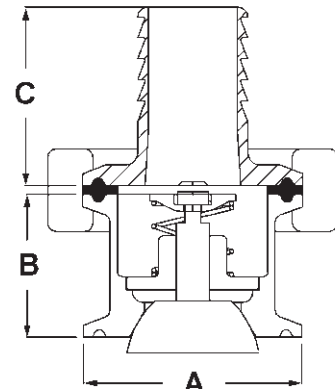
Product Specifications



B45AB



B45BC



B45CC

- 3A authorized
- 316L stainless steel with EPDM stem seat and gasket
- sizes from 1½" thru 4"
- maximum operating temperature: **212°F**
- maximum operating pressure: **145 PSI**

Size	A	B	C ¼" Plug	C ½" FNPT	C 1" Hose Barbs	Quick-Connect Plug Part Number	Female NPT Part Number	Hose Barb Part Number
1" - 1½"	1.984	2.55	1.30	0.6	1.7	B45AB-R100150	B45BC-R100150	B45CC-R100150
2"	2.516	2.55	1.30	0.6	1.7	B45AB-R200	B45BC-R200	B45CC-R200
2½"	3.047	2.55	1.30	0.6	1.7	B45AB-R250	B45BC-R250	B45CC-R250
3"	3.579	2.55	1.30	0.6	1.7	B45AB-R300	B45BC-R300	B45CC-R300
4"	4.682	2.55	1.30	0.6	1.7	B45AB-R400	B45BC-R400	B45CC-R400

Dimensions are approximate. Engineering dimensions are available upon request.
Specifications are subject to change without notice.

Repair Kit

- repair kit, **B45AB-RK**, contains contains:
- (1) EPDM / 316L stainless perforated disc
 - (1) 304 stainless spring retainer
 - (1) 304 stainless spring
 - (1) nylon stem guide
 - (1) EPDM / 316L stem and plug

Sizing Guide

When using air blow check valves with ball check valves, refer to the sizing chart below.

Ball Check Valve size	Air Blow Check Valve size
1½"	2"
2"	2½"
2½"	3"
3"	4"