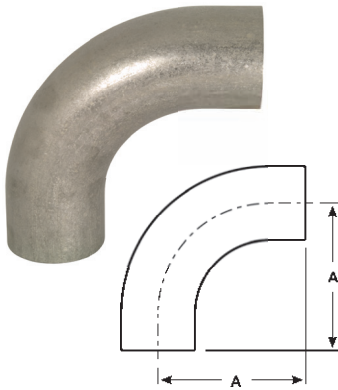


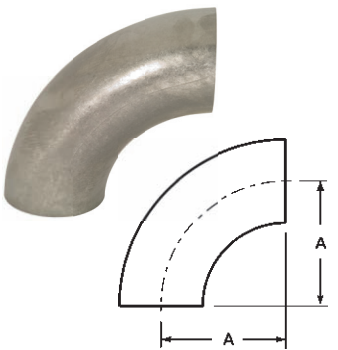
Unpolished Elbows

Unpolished 90° Weld Elbows with Tangents - B2S



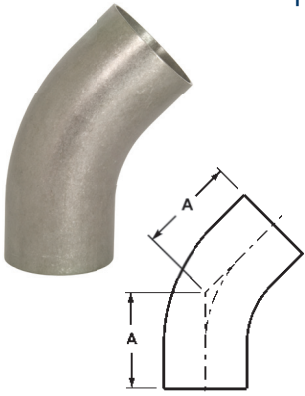
Tube OD	A	Nominal Wall	304 Stainless Steel Part Number	316L Stainless Steel Part Number
½"	3.000	.065	---	B2S-R50U
¾"	3.000	.065	---	B2S-R75U
1"	2.062	.065	B2S-G100U	B2S-R100U
1½"	2.937	.065	B2S-G150U	B2S-R150U
2"	4.062	.065	B2S-G200U	B2S-R200U
2½"	5.187	.065	B2S-G250U	B2S-R250U
3"	6.312	.065	B2S-G300U	B2S-R300U
4"	8.312	.083	B2S-G400U	B2S-R400U

Unpolished 90° Weld Elbows - B2WCL



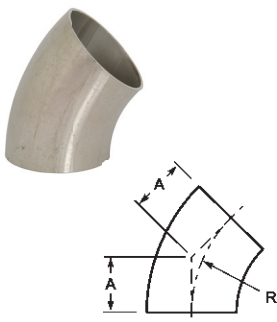
Tube OD	A	Nominal Wall	304 Stainless Steel Part Number	316L Stainless Steel Part Number
½"	1.125	.065	---	B2WCL-R50U
¾"	1.125	.065	---	B2WCL-R75U
1"	1.500	.065	B2WCL-G100U	B2WCL-R100U
1½"	2.250	.065	B2WCL-G150U	B2WCL-R150U
2"	3.000	.065	B2WCL-G200U	B2WCL-R200U
2½"	3.750	.065	B2WCL-G250U	B2WCL-R250U
3"	4.500	.065	B2WCL-G300U	B2WCL-R300U
4"	6.000	.083	B2WCL-G400U	B2WCL-R400U
6"	9.000	.109	B2WCL-G600U	B2WCL-R600U
8"	12.000	.120	B2WCL-G800U	B2WCL-R800U
10"	15.000	.109	B2WCL-G1000U	B2WCL-R1000U
12"	18.000	.120	B2WCL-G1200U	B2WCL-R1200U

Unpolished 45° Weld Elbows with Tangents - B2KS



Tube OD	A	Nominal Wall	304 Stainless Steel Part Number	316L Stainless Steel Part Number
½"	2.250	.065	---	B2KS-R50U
¾"	2.250	.065	---	B2KS-R75U
1"	1.188	.065	B2KS-G100U	B2KS-R100U
1½"	1.625	.065	B2KS-G150U	B2KS-R150U
2"	2.312	.065	B2KS-G200U	B2KS-R200U
2½"	3.000	.065	B2KS-G250U	B2KS-R250U
3"	3.688	.065	B2KS-G300U	B2KS-R300U
4"	4.812	.083	B2KS-G400U	B2KS-R400U

Unpolished 45° Weld Elbows - B2WK



Tube OD	A	R	Nominal Wall	304 Stainless Steel Part Number	316L Stainless Steel Part Number
½"	.518	1.125	.065	---	B2WK-R50U
¾"	.466	1.125	.065	---	B2WK-R75U
1"	.625	1.500	.065	B2WK-G100U	B2WK-R100U
1½"	.937	2.250	.065	B2WK-G150U	B2WK-R150U
2"	1.250	3.000	.065	B2WK-G200U	B2WK-R200U
2½"	1.562	3.750	.065	B2WK-G250U	B2WK-R250U
3"	1.875	4.500	.065	B2WK-G300U	B2WK-R300U
4"	2.500	6.000	.083	B2WK-G400U	B2WK-R400U
6"	3.750	9.000	.109	B2WK-G600U	B2WK-R600U
8"	5.000	12.000	.120	B2WK-G800U	B2WK-R800U
10"	6.250	15.000	.109	B2WK-G1000U	B2WK-R1000U
12"	7.500	18.000	.120	B2WK-G1200U	B2WK-R1200U