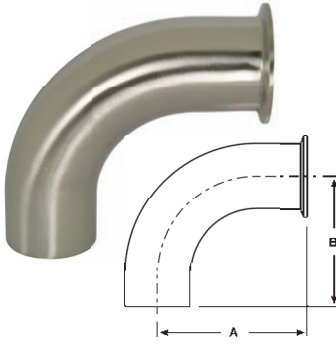


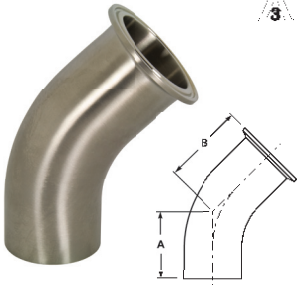
Weld Elbows

Polished 90° Clamp x Weld Elbows - B2CM



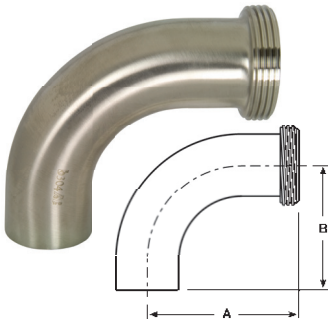
Tube OD	A	B	Nominal Wall	304 Stainless Steel Part Number	316L Stainless Steel Part Number
1"	2.562	2.062	.065	B2CM-G100	B2CM-R100
1½"	3.438	2.937	.065	B2CM-G150	B2CM-R150
2"	4.562	4.062	.065	B2CM-G200	B2CM-R200
2½"	5.688	5.187	.065	B2CM-G250	B2CM-R250
3"	6.812	6.312	.065	B2CM-G300	B2CM-R300
4"	8.937	8.312	.083	B2CM-G400	B2CM-R400

Polished 45° Clamp x Weld Elbows - B2KM



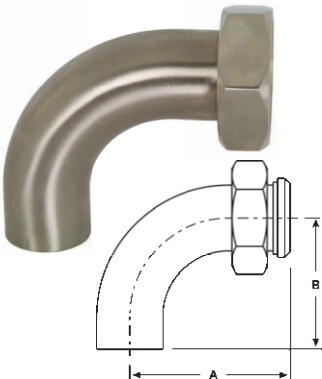
Tube OD	A	B	Nominal Wall	304 Stainless Steel Part Number	316L Stainless Steel Part Number
1"	1.188	1.688	.065	B2KM-G100	B2KM-R100
1½"	1.625	2.125	.065	B2KM-G150	B2KM-R150
2"	2.312	2.812	.065	B2KM-G200	B2KM-R200
2½"	3.000	3.500	.065	B2KM-G250	B2KM-R250
3"	3.688	4.188	.065	B2KM-G300	B2KM-R300
4"	4.812	5.437	.083	B2KM-G400	B2KM-R400

Polished 90° Threaded Bevel Seat x Weld Elbows - B2T



Tube OD	A	B	Nominal Wall	304 Stainless Steel Part Number
1"	2.780	2.062	.065	B2T-G100
1½"	3.656	2.937	.065	B2T-G150
2"	4.812	4.062	.065	B2T-G200
2½"	6.062	5.187	.065	B2T-G250
3"	7.218	6.312	.065	B2T-G300
4"	9.343	8.312	.083	B2T-G400

Polished 90° Plain Bevel Seat with Hex Nut x Weld Elbows - B2FP



- hex nut is CF8 (304) stainless steel

Tube OD	A	B	Nominal Wall	304 Stainless Steel Part Number
1"	2.780	2.062	.065	B2FP-G100
1½"	3.656	2.937	.065	B2FP-G150
2"	4.812	4.062	.065	B2FP-G200
2½"	6.062	5.187	.065	B2FP-G250
3"	7.218	6.312	.065	B2FP-G300
4"	9.343	8.312	.083	B2FP-G400

Other types of weld elbows are available call Dixon Sanitary for information



B2KT



B2KP